

Communications & Power Industries Triode



The LPT-62 is a ruggedized version of the ML-7715. It is a shielded-grid triode designed primarily for use as a switch tube in hard-tube pulse modulators for radar applications. It can deliver a peak pulse power output of 3.5 MW with less than 7 kW driving power. The maximum ratings of 65 kVdc and 70 kW peak apply when the tube is completely immersed in a suitable dielectric fluid such as sulfur hexafluoride or a mineral oil.

FEATURES:

Filament Voltage:	6.3 Volts
Filament Current:	62 Amps
Filament Starting Current, Max:	300 Amps
Amplification factor:	400
Filament/cathode:	Oxide Coated
Voltage:	--- Volts
Current:	--- Amps
Capacitance: Grounded cathode	
Input:	--- pF
Output:	--- pF
Feedthrough:	--- pF
Capacitance: Grounded grid	
Input:	1.2 pF
Output:	275.0 pF
Feedthrough:	20.0 pF
Cooling:	Forced Air or Oil
Base:	Coaxial
Air Socket:	---
Air Chimney:	---
Boiler:	---
Length:	11.63 in; 295.4 mm
Diameter:	8.05 in; 204.5 mm
Weight:	28 lbs; 12.7 kg

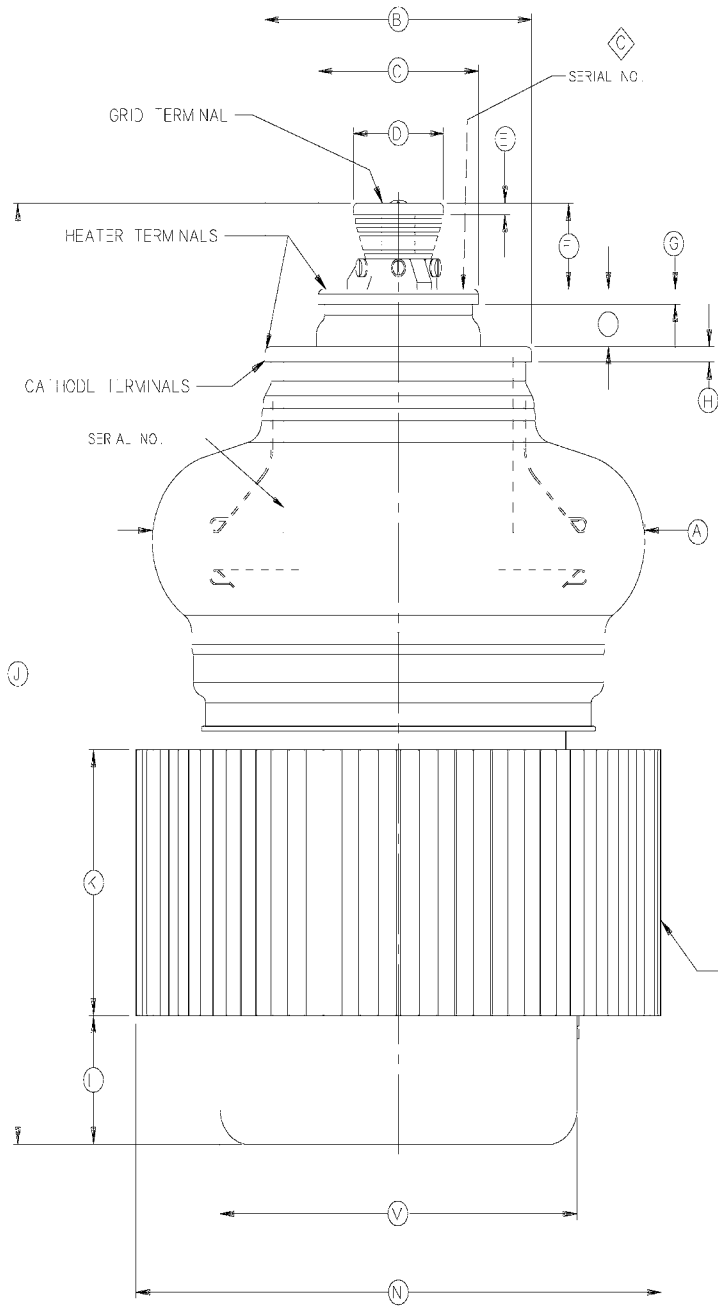
BENEFITS:

- Worldwide brand name recognition
- Over 85 years technical expertise

APPLICATIONS:

- Radar

DIMENSIONAL DATA					
DIM.	INCHES			MILLIMETERS	
	MIN.	MAX.	REF.	MIN.	MAX. REF.
A		7.63			193.8
B	4.047	4.079		102.80	103.60
C	2.422	2.454		61.50	62.30
D	1.370	1.380		34.80	35.50
E	.100			2.50	
F	.97	1.09		24.7	27.7
G	.150			3.80	
H	.150			3.80	
I	.63	.75		16.0	19.0
J		11.63			295.4
K	3.19	3.3		81.1	84.1
L	1.57	1.69		39.9	42.9
M	5.38	5.50		138.7	139.7
N	7.95	8.00		201.9	204.5



NOTES:
 1. REF. DIMENSIONS ARE FOR INFO ONLY & ARE NOT REQUIRED FOR INSPECTION PURPOSES.

With a history of producing high quality products, we can help you with your triode.
Contact us at MPPMarketing@cpii.com or call us at +1 650-846-2800. The data should be used for basic information only.
 Formal, controlled specifications may be obtained from CPI for use in equipment design.



**Microwave Power
 Products Division**
 811 Hansen Way
 Palo Alto, California
 USA 94304

tel +1 650-846-2800
 fax +1 650-856-0705
 email MPPMarketing@cpii.com
 web www.cpii.com/MPP

For more detailed information, please refer to the corresponding CPI technical description if one has been published, or contact CPI. Specifications may change without notice as a result of additional data or product refinement. Please contact CPI before using this information for system design.

©2020 Communications & Power Industries LLC.
 Company proprietary: use and reproduction is strictly prohibited without written authorization from CPI.